



Liquid & Water Leak Detection System

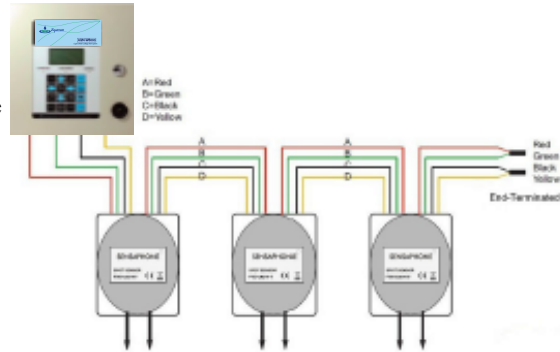
Spot Type Liquid & Water Leakage Detector



Description

The Aquaman AQM-W216 Spot Type Liquid & Water Leakage Detector is used to detect the presence of liquid on horizontal surface. Multiple detectors can be connected in series.

AQM-W8000 Locating Liquid & Water Leakage Alarm Panel



Package Contents

Spot Type Liquid & Water Leakage Detector



Specifications

Dimensions:

57 x 47 x 39mm
(without the sensing probes)

Weight:

50 g

Housing:

Grey plastic

Sensing Probes:

~ Package comes with a pair of “L” shape conductive electrode probes which can be setup into two different detection height levels by different orientation.

~ Can be replaced with most of the water sensing cables in the market.

Compatibility:

AQM-W8500, AQM-W8000

Spot Type Liquid & Water Leakage Detector AQM-W216

*Specifications subject to change without notice